

1.4 Retention barrier type BL/BTL

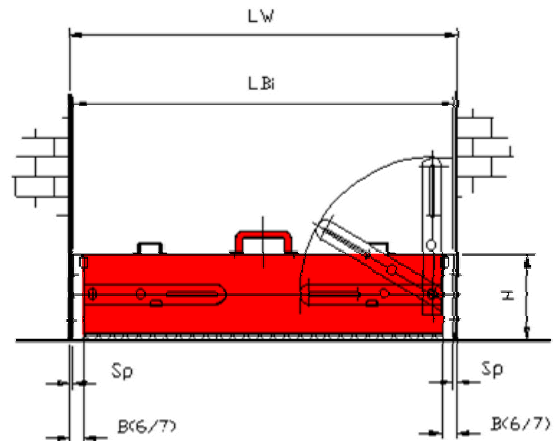
Article root number: 014

Barrier – slide-insert

Ideal where space is a problem

Designed for installation within the jamb

Dimensions:		
Standard height		100 to 350 mm
Special situations	up to	500 mm
Standard length	up to	2500 mm
Special situations	up to	6000 mm
Width		50 mm



1.4.1 Description

Suitable for crack-free surfaces with up to 15 mm (± 7.5 mm) of floor/ground unevenness, e.g. concrete, corrugated sheet metal, tiles, stones, etc.

The closure barrier is comprised of a rectangular, integral hollow aluminium profiled body. A compressible, highly adaptable special seal is affixed to the lower side.

The barrier mounts are "U"-shaped and are particularly narrow in their design. By way of preference, they are securely and universally mounted within the jamb of a door/gate, between walls, etc. and tightly sealed against the building or structure. Mounting outside of the doorjamb is likewise possible by means of special accessories.

Attached to the closure barrier are two tensioning levers with which the necessary force is applied for securing and sealing in the guiding tracks and against the floor/ground. A tight and secure seal is ensured in this manner. The tensioning force is adjustable. The tensioning levers lock into place.

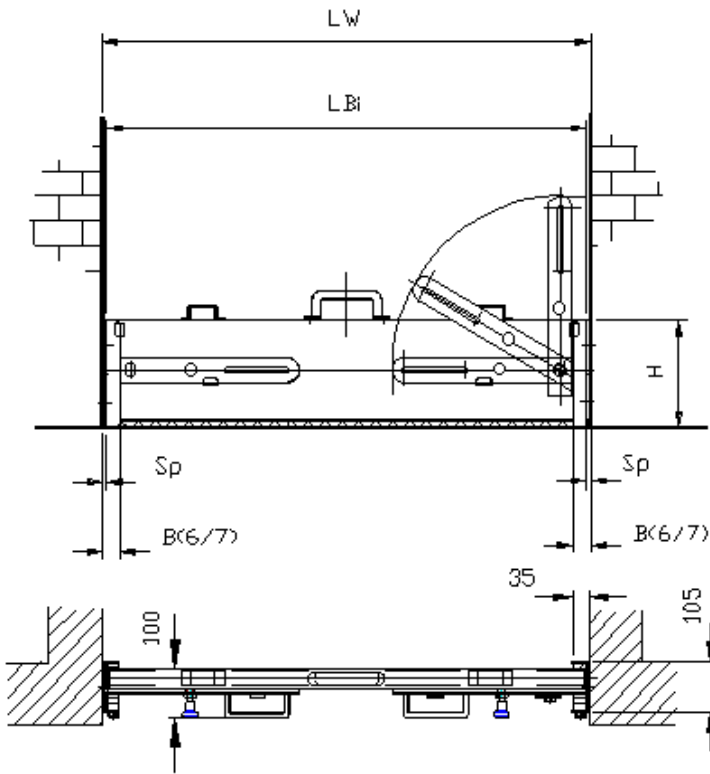
Wall mounts are included in the product package to provide for orderly storage.

Barrier bodies and mounting fixtures are furnished with a red paint finish, preferably "traffic red" RAL 3020. The remaining metal components are galvanized or made of aluminium.

Features:

- Ease of use and high degree of adaptability
- Design-tested (LGA, Trade Supervision Department - Bavaria, Germany)
- Quality-monitored (LGA, Trade Supervision Department - Bavaria, Germany)
- Tested by the fire-fighting industry (IdF, Fire Brigade Institute, Heyrothsberge, Germany)

1.4.2 Drawing – "within the doorjamb"



BL / BTL (Barrier – within the doorjamb - slide-insert)

Table of dimensions for specified dimension LBa (LBa = barrier length, within the jamb)

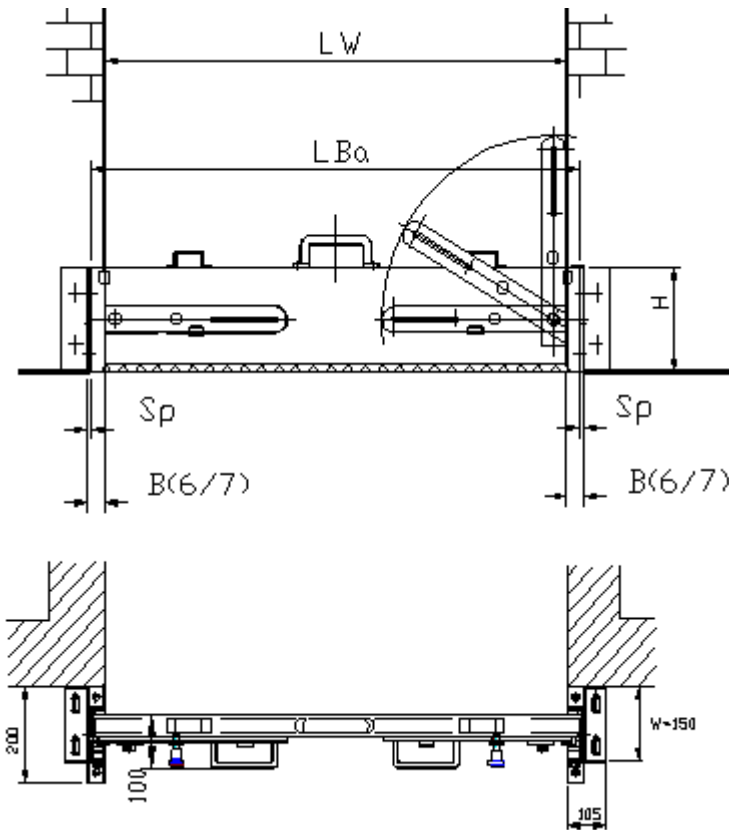
B6 / 35

Height H [mm]	LWi [mm]		B6
100	up to 2500	$LBi = Lw - (2 \times Sp_6)$ $Sp_6 = 10 \text{ mm}$	
150			
200			
250			
300			
350			

B7 / 50

Height H [mm]	LWi [mm]		B7
100	over 2500	$LBi = Lw - (2 \times Sp_7)$ $Sp_7 = 15 \text{ mm}$	
150			
200			
250			
300			
350			

1.4.3 Drawing – "outside of doorjamb"



BL / BTL (Barrier - door jamb - slide-insert)

Table of dimensions for specified dimension LBa (LBa = barrier length, outside of jamb)

B6 / 35

Height H [mm]	LWa [mm]		B6
100	up to 2500	$LBa = LW + 2 \times Z_6$ $Sp_6 = 10 \text{ mm}$ $Z_6 = \text{ad measurement} = 25 \text{ mm}$	
150			
200			
250			
300			
350			

B7 / 50

Height H [mm]	LWa [mm]		B7
100	over 2500	$LBa = LW + 2 \times Z_7$ $Sp_7 = 10 \text{ mm}$ $Z_7 = \text{ad measurement} = 40 \text{ mm}$	
150			
200			
250			
300			
350			

Europe

Blobel Umwelttechnik GmbH

Ziegeleistraße 5
86368 Gersthofen, Germany

Telephone: +49 (0)821 498190-0
Telefax: +49 (0)821 498190-30

email: info@blobel.de
Web: www.blobel.de

North America / Canada

BLOBEL Environmental Engineering LLC

270 Presidential Drive
Wilmington, Delaware 19807, USA

Telephone: +1 302-353-1555
Telefax: +1 302-288-3753
Mobile: +1-215-666-2267

email: info@blobel.us
Web: www.blobel.com

Asia / Pacific / South America

Blobel Environmental Engineering

6/41 Belgrave Street
Sydney NSW 2024, Australia

Telephone: +61 (0)2/93 69 35 04
Mobile: +61 (0) 4 19 27 94 81

email: mail@blobel.com
Web: www.blobel.com